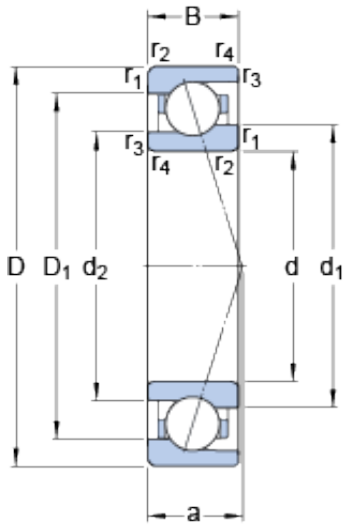




BEARING-SINGAPORE (PTE)LTD.



60 mm x 85 mm x 13 mm SKF 71912
ACE/HCP4A angular contact ball bearings

Bearing No. 71912 ACE/HCP4A

71912 ACE/HCP4A Bearing 2D drawings and 3D CAD models

Size	85x60x13 mm
Bore Diameter	85 mm
Outer Diameter	60 mm
Width	13 mm
d	60 mm
D	85 mm
B	13 mm
d ₁	67.75 mm
d ₂	65.7 mm
D ₁	77.3 mm
r _{1,2} - min.	1 mm
r _{3,4} - min.	0.3 mm
a	24.6 mm
d _a - min.	64.6 mm
d _b - min.	62 mm
D _a - max.	80.4 mm
D _b - max.	83 mm
r _a - max.	1 mm
r _b - max.	0.3 mm
d _n	69.6 mm
Basic dynamic load rating - C	15.3 kN
Basic static load rating - C ₀	11.2 kN
Fatigue load limit - P _u	0.475 kN
Limiting speed for grease	23000 r/min



BEARING-SINGAPORE (PTE)LTD.

Lubrication	
Limiting speed for oil lubrication	36000 mm/min
Ball - D_w	7.938 mm
Ball - z	23
G_{ref}	2.5 cm ³
Calculation factor - e	0.68
Calculation factor - Y_2	0.87
Calculation factor - Y_0	0.38
Calculation factor - X_2	0.41
Calculation factor - Y_1	0.92
Calculation factor - Y_2	1.41
Calculation factor - Y_0	0.76
Calculation factor - X_2	0.67
Preload class A - G_A	139 N
Preload class B - G_B	418 N
Preload class C - G_C	836 N
Calculation factor - f	1.13
Calculation factor - f_1	0.98
Calculation factor - f_{2A}	1
Calculation factor - f_{2B}	1.04
Calculation factor - f_{2C}	1.08
Calculation factor - f_{HC}	1.01
Preload class A	128 N/micron
Preload class B	193 N/micron
Preload class C	254 N/micron
d_1	67.75 mm
d_2	65.7 mm
D_1	77.3 mm
$r_{1,2}$ min.	1 mm



BEARING-SINGAPORE (PTE)LTD.

$r_{3,4}$ min.	0.3 mm
d_a min.	64.6 mm
d_b min.	62 mm
D_a max.	80.4 mm
D_b max.	83 mm
r_a max.	1 mm
r_b max.	0.3 mm
d_n	69.6 mm
Basic dynamic load rating C	15.3 kN
Basic static load rating C_0	11.2 kN
Fatigue load limit P_u	0.475 kN
Attainable speed for grease lubrication	23000 r/min
Attainable speed for oil-air lubrication	36000 r/min
Ball diameter D_w	7.938 mm
Number of balls z	23
Reference grease quantity G_{ref}	2.5 cm ³
Preload class A G_A	139 N
Static axial stiffness, preload class A	128 N/ μ m
Preload class B G_B	418 N
Static axial stiffness, preload class B	193 N/ μ m
Preload class C G_C	836 N
Static axial stiffness, preload class C	254 N/ μ m
Calculation factor f	1.13
Calculation factor f_1	0.98
Calculation factor f_{2A}	1
Calculation factor f_{2B}	1.04
Calculation factor f_{2C}	1.08
Calculation factor f_{HC}	1.01



BEARING-SINGAPORE (PTE)LTD.

Calculation factor e	0.68
Calculation factor (single, tandem) Y_2	0.87
Calculation factor (single, tandem) Y_0	0.38
Calculation factor (single, tandem) X_2	0.41
Calculation factor (back-to-back, face-to-face) Y_1	0.92
Calculation factor (back-to-back, face-to-face) Y_2	1.41
Calculation factor (back-to-back, face-to-face) Y_0	0.76
Calculation factor (back-to-back, face-to-face) X_2	0.67
Mass bearing	0.16 kg