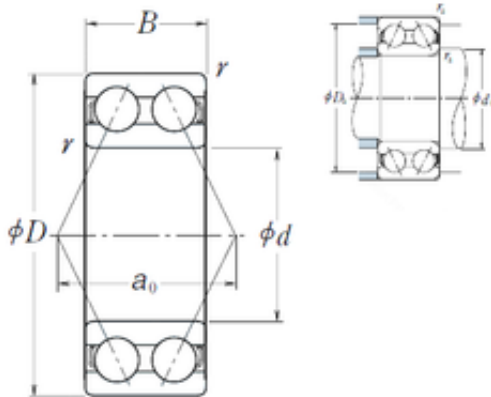




BEARING-SINGAPORE (PTE)LTD.

75 mm x 130 mm x 41,3 mm NSK 5215 angular contact ball bearings



Bearing No. 5215

5215 Bearing 2D drawings and 3D CAD models

Size	75x130x41.3 mm
Bore Diameter	75 mm
Outer Diameter	130 mm
Width	41,3 mm
d	75 mm
D	130 mm
B	41,3 mm
C	41,3 mm
a	66,1 mm
r min.	1,5 mm
da min.	84 mm
da max	121 mm
ra max.	1,5 mm
Weight	1,9 Kg
Basic dynamic load rating (C)	93,5 kN
Basic static load rating (C0)	83 kN
(Grease) Lubrication Speed	3 200 r/min
SRI	9.08
hidYobi	5215
LangID	1
D_	130
SREX	0.065
B_	41.3
hidTable	ecat_NSANGBD
Oil rpm	4300



BEARING-SINGAPORE (PTE)LTD.

SRE	9.08
mass	1.9
GRS rpm	3200
ra	1.5
SRIX	0.065
D_a	121
SRIN	0
C0	83
SREN	0
DE_	120.033
Prod_Type3	ACBB_DR_A
da	84
DA_	17.462
Z_	10
ALP	50
yobi	5215
ao	66.1
SDM_	102.5
r	1.5
KBRG	1121
DI_	84.967