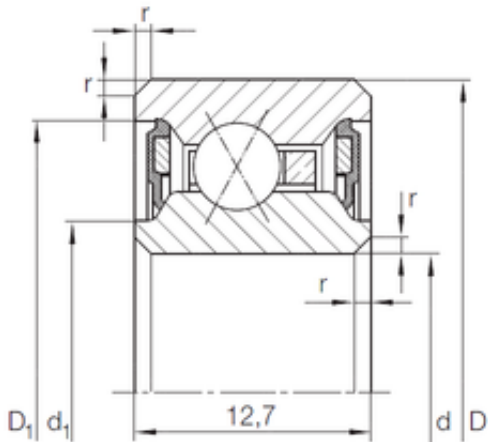




BEARING-SINGAPORE (PTE)LTD.

139,7 mm x 158,75 mm x 12,7 mm INA CSXU
055.2RS angular contact ball bearings



Bearing No. CSXU 055.2RS

Size	139.7x158.75x12.7 mm
Bore Diameter	139,7 mm
Outer Diameter	158,75 mm
Width	12,7 mm
d	139,7 mm
D	158,75 mm
B	12,7 mm
C	12,7 mm
d1	143,5 mm
r min.	0,38 mm
D1	153,5 mm
Weight	0,34 Kg
Basic dynamic load rating (C)	12,2 kN
Basic static load rating (C0)	19,6 kN

CSXU 055.2RS Bearing 2D drawings and 3D CAD
models