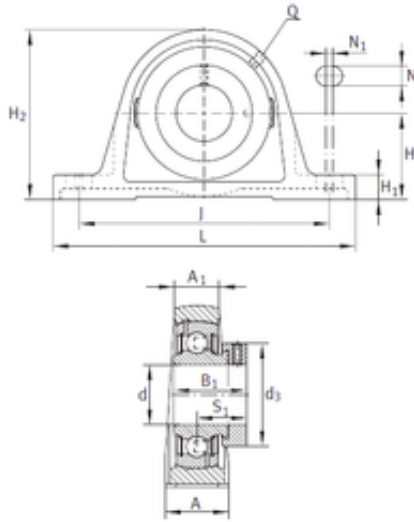




BEARING-SINGAPORE (PTE)LTD.



INA PASE2 bearing units

Bearing No. PASE2

Bore Diameter	50,8 mm
d	50,8 mm
S1	36,399 mm
Thread (Q)	1/8 NPT
d3	69,012 mm
A	62,51 mm
A1	35,002 mm
B	48,489 mm
H	63,5 mm
H1	24,994 mm
H2	126,492 mm
J	175,743 mm
L	225 mm
N	18,009 mm
N1	11,253 mm
Category	Pillow Block Bearings
Inventory	0.0
Manufacturer Name	SCHAEFFLER GROUP
Minimum Buy Quantity	N/A
Weight / Kilogram	3.772
Product Group	M06110
Number of Mounting Holes	2
Mounting Method	Eccentric Collar
Housing Style	2 Bolt Pillow Block
Rolling Element	Ball Bearing
Housing Material	Cast Iron

PASE2 Bearing 2D drawings and 3D CAD models



BEARING-SINGAPORE (PTE)LTD.

Expansion / Non-expansion	Non-expansion
Relubricatable	Yes
Insert Part Number	GRA200NPPB
Seals	Double Lip Contact
Housing Configuration	1 Piece Solid
Inch - Metric	Inch
Other Features	Single Row Spherical Standard Shaft Height With Set Screw
Long Description	2 Bolt Pillow Block; 2" Bore; 2-1/2" Base to Center Height; Eccentric Collar Mount; Ball Bearing; 6.476" Minimum Bolt Spacing; 7.362" Bolt Spacing Maximum; Relubricatable; Cast Iro
Category	Pillow Block
UNSPSC	31171511
Harmonized Tariff Code	8483.20.40.40
Noun	Bearing
Keyword String	Pillow Block
Manufacturer URL	http://www.ina.com
Manufacturer Item Number	PASE2
Weight / LBS	8.82
Bolt Spacing Maximum	7.362 Inch 187Millimeter
Actual Bolt Center to Center	0 Inch 0Millimeter
Length Thru Bore	1.906 Inch 48.42 Millimeter
Bore	2 Inch 50.8 Millimeter
Bolt Spacing Minimum	6.476 Inch 164.5Millimeter
Nominal Bolt Center to Center	6.8 Inch 171.5 Millimeter
Base to Center Height	2.5 Inch 63.5 Millimeter