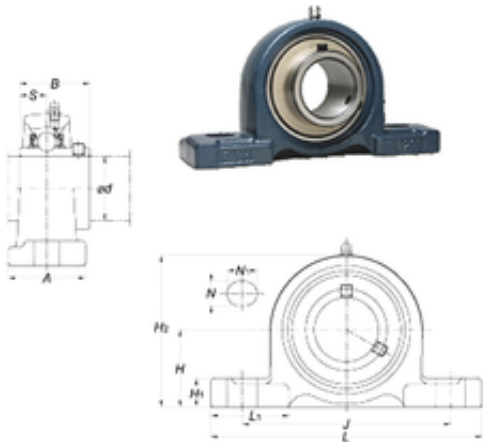




BEARING-SINGAPORE (PTE)LTD.

FYH UCP311 bearing units



Bearing No. UCP311

Bore Diameter	55 mm
Width	66 mm
d	55 mm
A	80 mm
B	66 mm
H	80 mm
H1	27 mm
H2	158 mm
J	236 mm
L	310 mm
L1	90 mm
N	20 mm
N1	38 mm
S	25 mm
Bolt (G)	M16
Weight	7,9 Kg
Basic dynamic load rating (C)	71,6 kN
Basic static load rating (C0)	45 kN
Category	Mounted Units & Inserts
Inventory	0.0
Manufacturer Name	FYH BEARING UNITS
Minimum Buy Quantity	N/A
Weight / Kilogram	0
Product Group	M06110

UCP311 Bearing 2D drawings and 3D CAD models