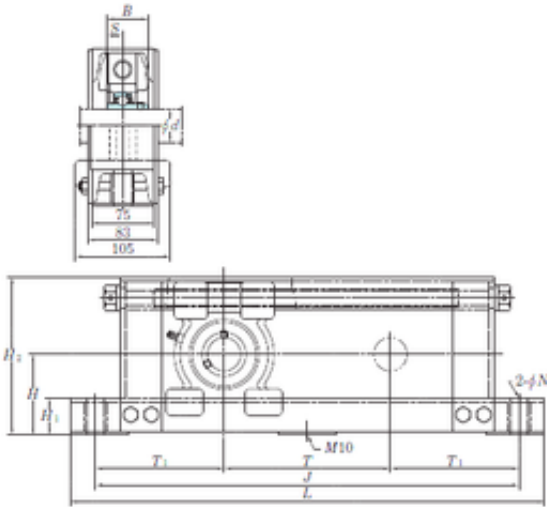




BEARING-SINGAPORE (PTE)LTD.

KOYO UCTU313-700 bearing units

Bearing No. UCTU313-700



UCTU313-700 Bearing 2D drawings and 3D CAD models

Bore Diameter	65 mm
Width	75 mm
d	65 mm
T1	190 mm
B	75 mm
H	145 mm
H1	55 mm
H2	285 mm
J	1080 mm
L	1140 mm
N	22 mm
S	30 mm
T	700 mm
Bolt (G)	M18
Weight	46 Kg
Basic dynamic load rating (C)	92,7 kN
Basic static load rating (C0)	59,9 kN