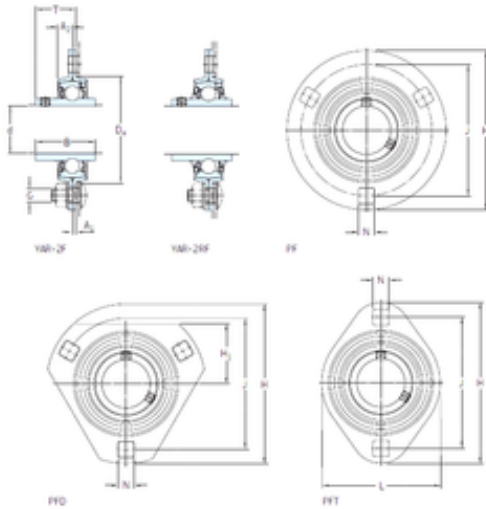




BEARING-SINGAPORE (PTE)LTD.



SKF PFD 30 TF bearing units

Bearing No. PFD 30 TF

Bore Diameter	30 mm
Width	38,1 mm
d	30 mm
Da	71 mm
A1	2,5 mm
B	38,1 mm
G	10 mm
H	112 mm
H1	38 mm
J	90,5 mm
L	—
N	10,5 mm
T	24,7 mm
A2	9,5 mm
Weight	0,47 Kg
Basic dynamic load rating (C)	19,5 kN
Basic static load rating (C0)	11,2 kN
Housing material	Pressed steel
A ₁	2.5 mm
A ₂	9.5 mm
B ₄	5 mm
D _a min.	67 mm
H ₁	38 mm
s ₁	22.2 mm
Basic dynamic load rating C	19.5 kN
Basic static load rating C ₀	11.2 kN

PFD 30 TF Bearing 2D drawings and 3D CAD models



BEARING-SINGAPORE (PTE)LTD.

Fatigue load limit P_u	0.475 kN
Permissible radial housing load max.	5 kN
Mass unit	0.46 kg
Thread grub screw G_2	M6x0.75
Hexagonal key size for grub screw N	3 mm
Recommended tightening torque for grub screw	4 N · m
Recommended diameter for attachment bolts, mm G	10 mm
Recommended diameter for attachment bolts, inch G	0.375 in