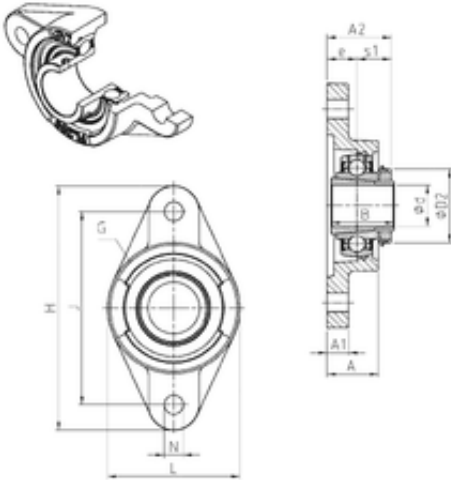




BEARING-SINGAPORE (PTE)LTD.



SNR UKFL215H bearing units

Bearing No. UKFL215H

Bore Diameter	65 mm
d	65 mm
e	34 mm
s1	35,5 mm
A	55 mm
A1	22 mm
B	73 mm
D2	98 mm
H	275 mm
J	225 mm
L	164 mm
N	23 mm
Thread (G)	M10x1
A2	69,5 mm
Weight	5,7 Kg
Basic dynamic load rating (C)	66 kN

UKFL215H Bearing 2D drawings and 3D CAD models