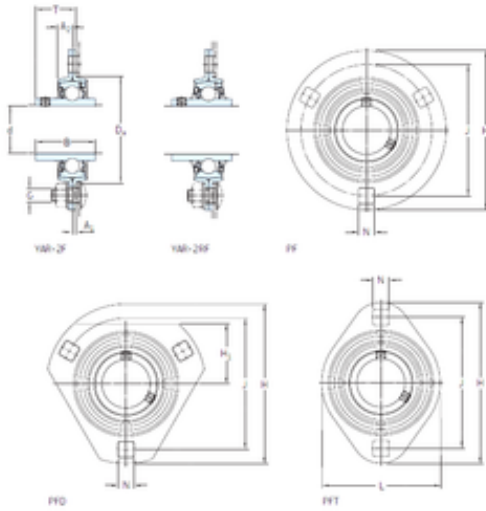




# BEARING-SINGAPORE (PTE)LTD.



## SKF PFD 40 WF bearing units

Bearing No. PFD 40 WF

Bore Diameter	40 mm
d	40 mm
Da	91 mm
A1	3,5 mm
B1	56,3 mm
G	12 mm
H	148 mm
H1	53 mm
J	119 mm
L	—
N	13,5 mm
T	38,4 mm
A2	10 mm
Weight	1,15 Kg
Basic dynamic load rating (C)	30,7 kN
Basic static load rating (C0)	19 kN
Housing material	Pressed steel
A <sub>1</sub>	3.5 mm
A <sub>2</sub>	10 mm
B	42.8 mm
B <sub>4</sub>	6.75 mm
D <sub>a</sub> min.	87 mm
H <sub>1</sub>	53 mm
s <sub>1</sub>	34.9 mm
Basic dynamic load rating C	30.7 kN
Basic static load rating C <sub>0</sub>	19 kN

PFD 40 WF Bearing 2D drawings and 3D CAD models



## BEARING-SINGAPORE (PTE)LTD.

Fatigue load limit $P_u$	0.8 kN
Permissible radial housing load max.	7.5 kN
Mass unit	1.15 kg
Thread grub screw $G_2$	M10x1
Hexagonal key size for grub screw N	5 mm
Recommended tightening torque for grub screw	16.5 N · m
Recommended diameter for attachment bolts, mm G	12 mm
Recommended diameter for attachment bolts, inch G	0.5 in