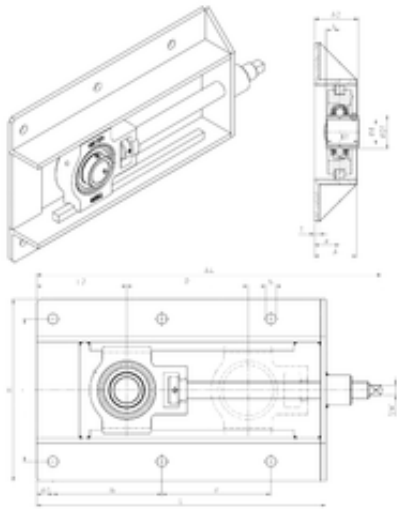




BEARING-SINGAPORE (PTE)LTD.

SNR UCT212+WB bearing units



Bearing No. UCT212+WB

Bore Diameter	60 mm
d	60 mm
A4	651 mm
P	300 mm
e	38 mm
L2	127 mm
s	25,4 mm
SW	19 mm
A	65 mm
B1	65,1 mm
D1	74,9 mm
H	301 mm
J	240 mm
L	568 mm
M	243 mm
M1	22 mm
N	15 mm
T	6 mm
A2	77,7 mm
Weight	20,2 Kg
Basic dynamic load rating (C)	52,5 kN
A1	22 mm
B	65.1 mm
A5	39.7 mm
G	M6x1
H1	130 mm

UCT212+WB Bearing 2D drawings and 3D CAD models



BEARING-SINGAPORE (PTE)LTD.

H2	102 mm
L1	119 mm
L3	102 mm
N1	32 mm
N2	64 mm
s1	32.55 mm
S	25.4 mm
C	52.5 kN
C0	32.8 kN
T min.	-20 ° C
T max.	100 ° C
Recommended tightening torque for set screw	22 Nm
Designation of housing	T212-
Designation of bearing	UC212G2