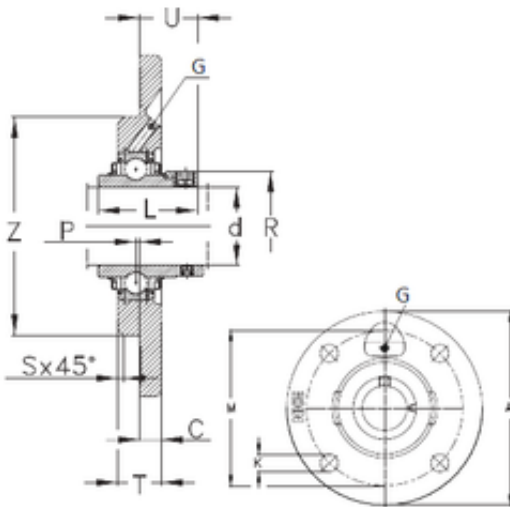




BEARING-SINGAPORE (PTE)LTD.

NKE RMEY60-N bearing units

Bearing No. RMEY60-N



RMEY60-N Bearing 2D drawings and 3D CAD models

Bore Diameter	60 mm
d	60 mm
P	1 mm
U	38,7 mm
K	18 mm
Z	135 mm
A	195 mm
C	16 mm
L	65,1 mm
M	160 mm
S	3 mm
T	29 mm
Thread (G)	R1/8 "