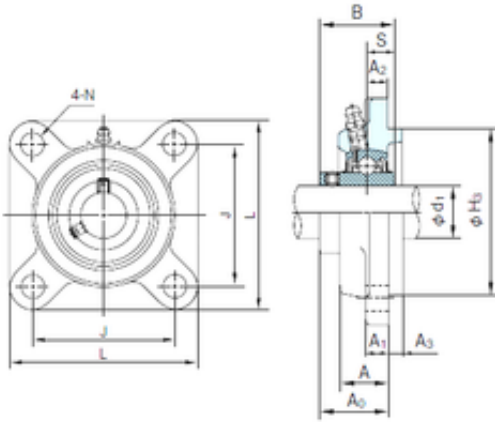




BEARING-SINGAPORE (PTE)LTD.

NACHI UCFS326 bearing units

Bearing No. UCFS326



UCFS326 Bearing 2D drawings and 3D CAD models

Bore Diameter	130 mm
d1	130 mm
H3	360 mm
A0	116 mm
A	85 mm
A1	45 mm
B	135 mm
J	320 mm
L	410 mm
N	41 mm
S	54 mm
Bolt (G)	M36
A2	35 mm
A3	30 mm