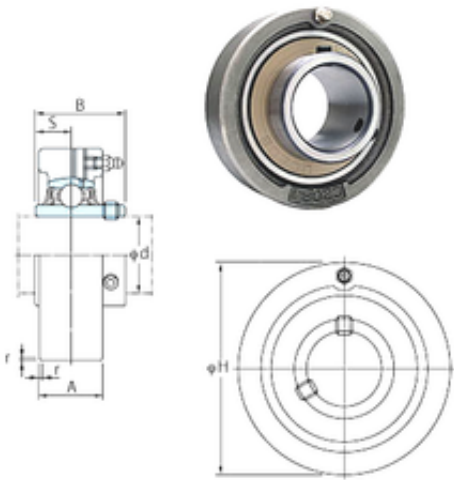




BEARING-SINGAPORE (PTE)LTD.

FYH UCC321 bearing units

Bearing No. UCC321



UCC321 Bearing 2D drawings and 3D CAD models

Bore Diameter	105 mm
Width	112 mm
d	105 mm
r	4 mm
A	75 mm
B	112 mm
H	260 mm
S	44 mm
Weight	27 Kg
Basic dynamic load rating (C)	184 kN
Basic static load rating (C0)	153 kN