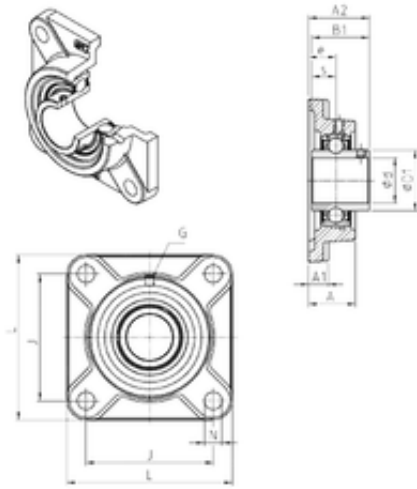




# BEARING-SINGAPORE (PTE)LTD.



## SNR UCF315 bearing units

Bearing No. UCF315

Bore Diameter	75 mm
d	75 mm
e	39 mm
s	32 mm
A	66 mm
A1	25 mm
B1	82 mm
D1	100,5 mm
J	184 mm
L	236 mm
N	25 mm
Thread (G)	M10x1
A2	89 mm
Weight	10,4 Kg
Basic dynamic load rating (C)	113,36 kN

UCF315 Bearing 2D drawings and 3D CAD models