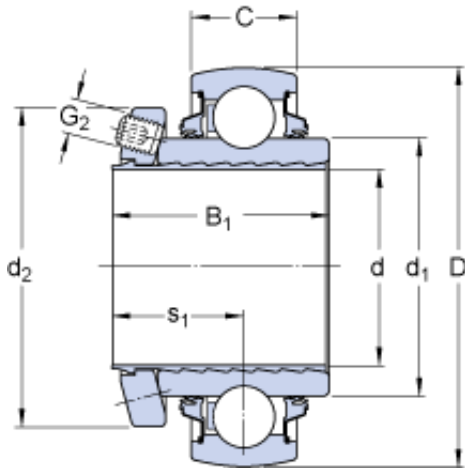




BEARING-SINGAPORE (PTE)LTD.



YSPAG 205-100 Bearing 2D drawings and 3D CAD models

SKF YSPAG 205-100 deep groove ball bearings

Bearing No. YSPAG 205-100

Size	52x25.4x33 mm
Bore Diameter	52 mm
Outer Diameter	25,4 mm
Width	33 mm
d	25.4 mm
D	52 mm
B ₁	33 mm
C	15 mm
d ₁	33.74 mm
d ₂	41.7 mm
s ₁	21 mm
Basic dynamic load rating - C	14 kN
Basic static load rating - C ₀	7.8 kN
Fatigue load limit - P _u	0.335 kN
Limiting speed	1500 r/min
Calculation factor - f ₀	14
Mass bearing	0.18 kg
Thread - G ₂	M5
Hexagonal key size for grub screw - H	2.5 mm
Recommended tightening torque for grub screw	4.2 N · m
B ₁	33.2 mm
d ₁	33.74 mm
d ₂	41.7 mm



BEARING-SINGAPORE (PTE)LTD.

s_1	21.2 mm
Basic dynamic load rating C	14 kN
Basic static load rating C_0	7.8 kN
Fatigue load limit P_u	0.335 kN
Limiting speed ¹⁾	1500 r/min
Calculation factor f_0	14
Mass complete bearing	0.18 kg
Thread grub screw G_2	M5
Hexagonal key size for grub screw N	2.54 mm