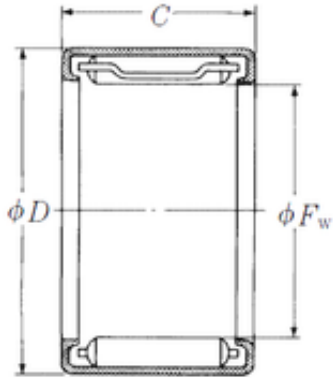




BEARING-SINGAPORE (PTE)LTD.

NSK FJL-912L needle roller bearings

Bearing No. FJL-912L



Size	9x16x12 mm
Bore Diameter	9 mm
Outer Diameter	16 mm
Width	12 mm
Fw	9 mm
D	16 mm
C	12 mm
Weight	0,0077 Kg
Basic dynamic load rating (C)	5,15 kN

FJL-912L Bearing 2D drawings and 3D CAD models