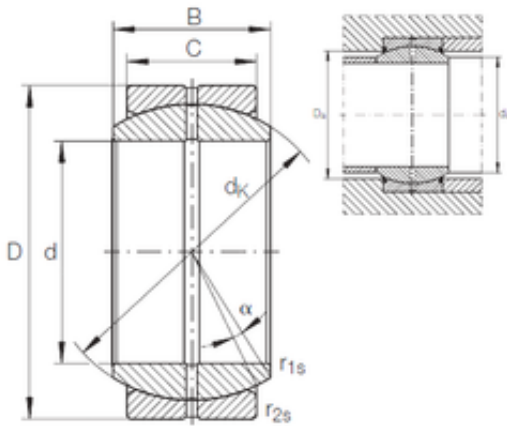




BEARING-SINGAPORE (PTE)LTD.

160 mm x 230 mm x 105 mm INA GE 160 DO
plain bearings



Bearing No. GE 160 DO

Size	160x230x105 mm
Bore Diameter	160 mm
Outer Diameter	230 mm
Width	105 mm
d	160 mm
D	230 mm
B	105 mm
C	80 mm
dk	200 mm
r1 min.	1 mm
r2 min.	1 mm
da max	170,2 mm
Da min	191 mm
Angle	8 °
Weight	14 Kg
Basic dynamic load rating (C)	1370 kN

GE 160 DO Bearing 2D drawings and 3D CAD models