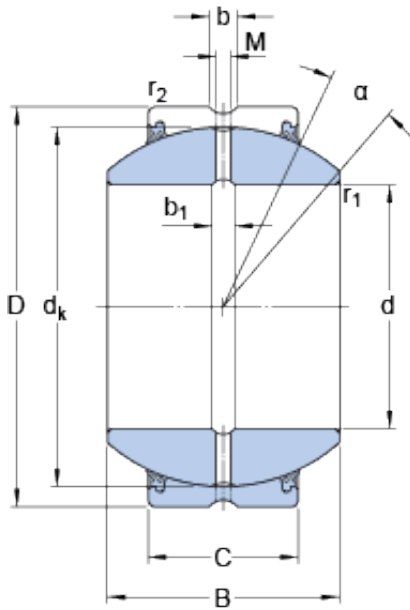




# BEARING-SINGAPORE (PTE)LTD.

82.55 mm x 139.7 mm x 82.931 mm SKF GEZH 304 ES-2RS plain bearings

Bearing No. GEZH 304 ES-2RS



GEZH 304 ES-2RS Bearing 2D drawings and 3D CAD models

Size	139.7x82.55x82.931 mm
Bore Diameter	139,7 mm
Outer Diameter	82,55 mm
Width	82,931 mm
d	82.55 mm
D	139.7 mm
B	82.931 mm
C	66.675 mm
	9 °
d <sub>k</sub>	128.016 mm
b	10.5 mm
b <sub>1</sub>	8 mm
M	6.5 mm
r <sub>1</sub> - min.	2 mm
r <sub>2</sub> - min.	1 mm
d <sub>a</sub> - min.	92.7 mm
d <sub>a</sub> - max.	97.5 mm
D <sub>a</sub> - min.	122.8 mm
D <sub>a</sub> - max.	133.8 mm
r <sub>a</sub> - max.	2 mm
r <sub>b</sub> - max.	1 mm
Basic dynamic load rating - C	680 kN
Basic static load rating - C <sub>0</sub>	2040 kN
Specific factor dinamic load - K	100 N/mm <sup>2</sup>



## BEARING-SINGAPORE (PTE)LTD.

Specific factor static load - $K_0$	300 N/mm <sup>2</sup>
Constant - $K_M$	330
Lubricant	Regular relubrication – grease
Design (sliding contact surface combination)	Steel/steel
Sealing solution	Double-lip seals
	9 °
$d_k$	128.016 mm
$b_1$	8 mm
$r_1$ min.	2 mm
$r_2$ min.	1 mm
$d_a$ min.	92.7 mm
$d_a$ max.	97.5 mm
$D_a$ min.	122.8 mm
$D_a$ max.	133.8 mm
$r_a$ max.	2 mm
$r_b$ max.	1 mm
Basic dynamic load rating C	680 kN
Basic static load rating $C_0$	2040 kN
Specific dynamic load factor K	100 N/mm <sup>2</sup>
Specific static load factor $K_0$	300 N/mm <sup>2</sup>
Material constant $K_M$	330
Mass plain bearing	5.6 kg